

TEKNOBAG[®] DRAIMAD[®]

Sludge Dewatering



DRYCAKE

1877-DRYCAKE

Teknofanghi

CE

Sludge dewatering package

TEKNOFANGHI® recognising a need in the market, has developed a new range of package sludge dewatering systems, utilising the excellent performance of the **TEKNOBAG® DRAIMAD®** bag system.

The package plant is completely automatic, with all functions, including sludge conditioning, bag filling and draining cycles, controlled by an integral control panel. The fully packaged design of this machine provides for simple and rapid installation, which is of benefit to the installer and end-user.

After a few hours operation, the **TEKNOBAG® DRAIMAD®** system will produce dry solids contents of 15-30% depending on the sludge. This will increase up to 50% after a period of one-month storage of the bags in the open air.

The bag also acts as a strong container for the transport of the dehydrated sludge to the disposal point.

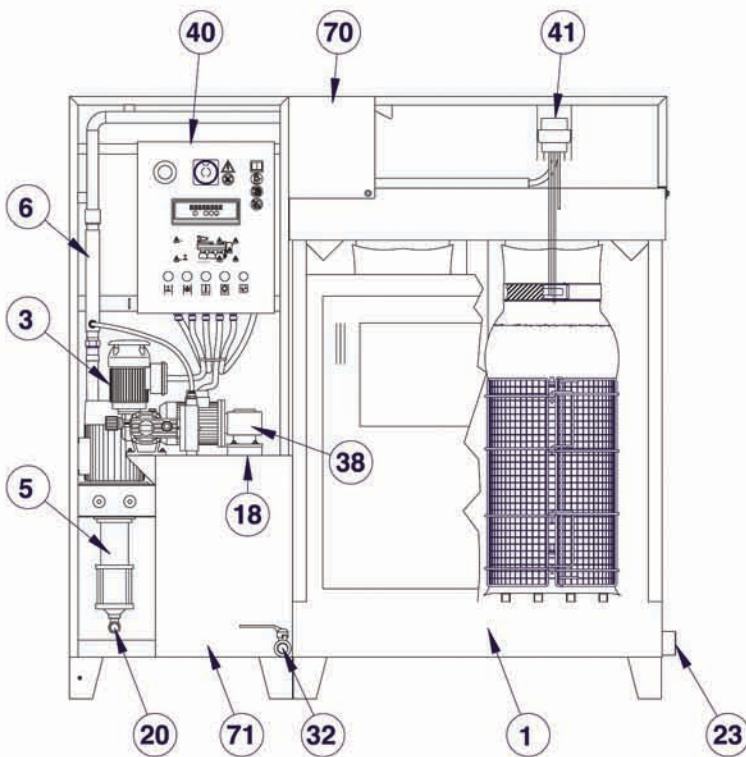
The new range of package plant is particularly suitable for biological sewage sludges, produced by small wastewater treatment plants (e.g. hotels, tourist villages, small communities etc.) and physical-chemical sludges for industrial processes.

The package plants are delivered to site with all mechanical, electrical and hydraulic components pre-assembled and factory tested for rapid start-up and minimum installation costs.

The low capital investment and running costs, combined with simple plant operation and management, allows a short amortisation time.

In keeping with **TEKNOFANGHI**'s exceptionally high standards, these package machines are manufactured of stainless steel AISI 304.

Working scheme



Pos.	Description
1	TEKNOBAG® DRAIMAD® Unit
3	Polyelectrolyte pump
5	Sludge pump
6	Static mixer
18	Inlet for fresh water and polyelectrolyte
20	Sludge inlet
23	Filtrate outlet
32	Polyelectrolyte tank draining outlet
38	Polyelectrolyte stirrer
40	Control panel
41	Level sensor
70	Flocculation tank
71	Polyelectrolyte tank

Our equipments is made to comply with the CE European standard

Teknofanghi

Sistemi per la disidratazione fanghi
Sludge Dewatering Equipment

Via Brescia, 18 - 20063 Cernusco s/N (MI) - Italy
Tel. +39.02.92143037 - Fax +39.02.92143038
info@teknofanghi.it - www.teknofanghi.it



Distribuito da:
Distributed by:

DRYCAKE
1877-DRYCAKE